

Barkbusters

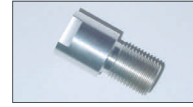
www.barkbusters.net

ADAPTOR KIT for
(to be used with STM-007-01 or S7)

IMPORTANT:

This adaptor kit is to be used in conjunction with the instructions and handguard kit STM-007-01 or S7.

15 Threaded Adaptor



PN: BESF3

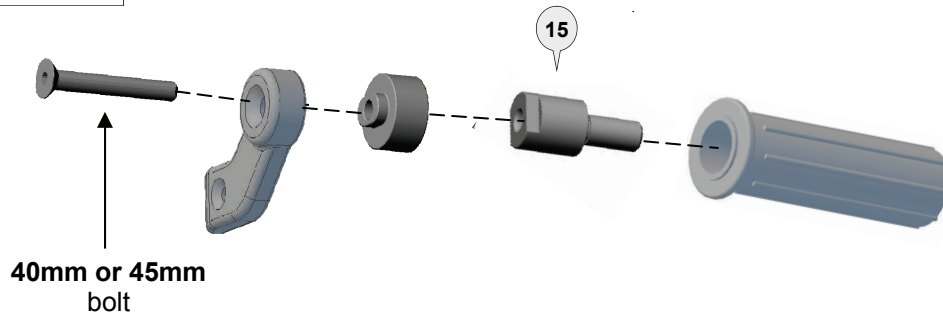
Pcs.

2

INSTRUCTIONS:

- Ensure bolt M8x40mm or M8x45mm Flat Head is used.
- A medium thread locking compound applied to the Threaded Adaptor (15) is recommended.
- Remove Original bar end weight.
- Insert the Threaded Adaptor (15).
- Tighten threaded adaptor (15) into the handlebar to 20 Nm (14.8 lbf ft).

LEFT SIDE



INS-B-083



Phone: +61 (0)2 4271 8244
Email: info@barkbusters.net
Web: www.barkbusters.net