



**FITTING INSTRUCTIONS FOR CP0393BL AERO CRASH PROTECTORS**  
**SUZUKI GSX-S 1000 2015-**



PICTURE 'A'



PICTURE 'B'



REAR OF BIKE

FRONT OF BIKE

PICTURE 'C'

**THIS KIT CONTAINS THE ITEMS PICTURED AND LABELLED BELOW.**  
**DO NOT PROCEED UNTIL YOU ARE SURE ALL PARTS ARE PRESENT.**

Please note that the way the kit is packed does not necessarily represent the way of mounting to the bike

Please note that in cases where kits are packed with rubber washers holding the components onto the bolt – *the rubber washers should be thrown away!*

THE PARTS SHOWN MAY BE REPRESENTATIVE ONLY (FOR CLARITY OF INSTRUCTIONS ONLY)

**Digital copies of these instructions are available to download from [www.rg-racing.com](http://www.rg-racing.com)**

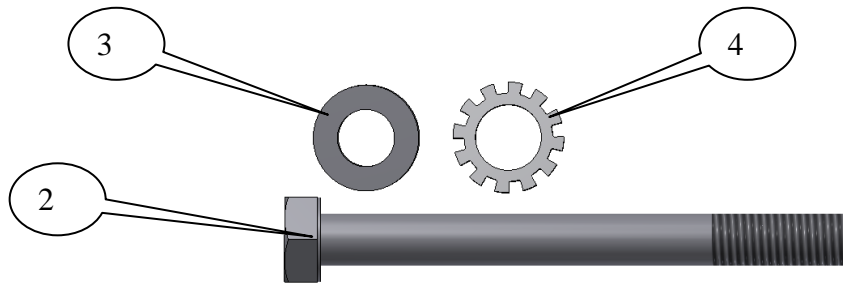
**GENERAL TORQUE SETTINGS**

M4 BOLT = 8Nm  
M5 BOLT = 12Nm  
M6 BOLT = 15Nm  
M8 BOLT = 20Nm  
M10 BOLT = 40Nm

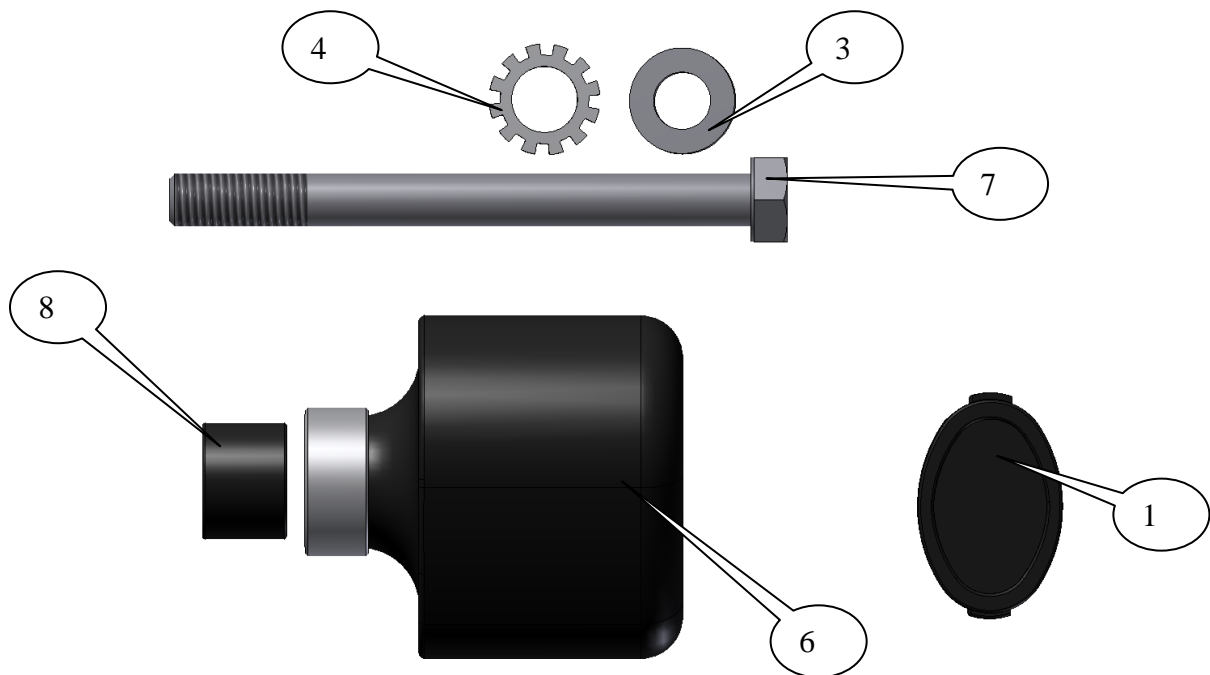
**R&G Racing**

Unit 1 Shelleys Lane, East Worldham, Alton, Hants GU34 3AQ

Tel: +44 (0)1420 89007 Fax: +44 (0)1420 87301 [www.rg-racing.com](http://www.rg-racing.com) Email: [info@rg-racing.com](mailto:info@rg-racing.com)



LEFT HAND SIDE



RIGHT HAND SIDE



### TOOLS REQUIRED

- Socket set to include 17mm A/F socket and wrench.
  - 8mm Allen key or socket bit.
  - Torque wrench (up to 40Nm).

### LEGEND

ITEM 1 = CRASH PROTECTOR CAPS, R&LHS (BC0002) (x2).

ITEM 2 = CRASH PROTECTOR BOLT LHS, M10x100mm LONG HEX HEAD (x1).

ITEM 3 = M10 PLAIN WASHERS, R&LHS (x2).

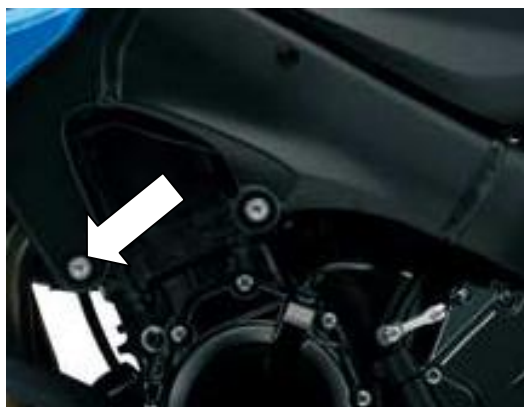
ITEM 4 = LOCKING WASHERS, R&LHS (LW0001) (x2).

ITEM 5 = CRASH PROTECTOR SPACER, LHS (S0893=15mm LONG) (x1).

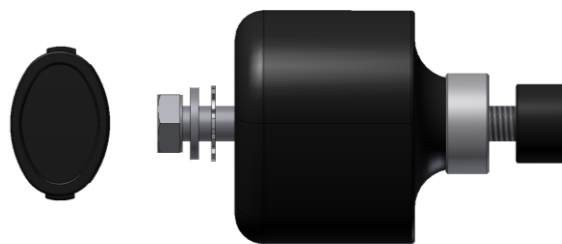
ITEM 6 = CRASH PROTECTORS, R&LHS (B0431 with CS341, 10mm) (x2).

ITEM 7 = CRASH PROTECTOR BOLT RHS, M10x110mm LONG HEX HEAD (x1).

ITEM 8 = CRASH PROTECTOR SPACER, RHS (S0894=16mm LONG) (x1).



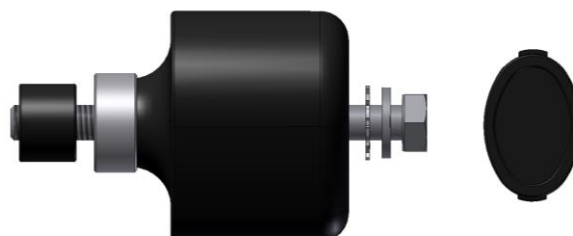
PICTURE 1



PICTURE 2



PICTURE 3



PICTURE 4



## FITTING INSTRUCTIONS

### *Near side (left side as you sit on bike)*

- Remove the bolt arrowed in picture 1.
- Place one of the plain washers (item 3) onto the **shortest** hex headed bolt (item 2=100mm long) as shown in picture 2.
- Place one of the locking washers (item 4) over the bolt and against the washer just fitted as shown in picture 2.
- Place the bolt with both washers through one of the crash protectors (item 6) as shown in picture 2.
- Place the shorter spacer (item 5=15mm long) over the exposed end of the bolt with the larger diameter against the crash protector as shown in picture 2.
- Offer this assembly into position as shown in picture 'A' on page 1 (please ensure no parts come in contact with any fairing panels). Finally tighten the crash protector bolts until you feel some compression from inside the protector using 17mm socket and wrench. **PLEASE NOTE THE CRASH PROTECTOR MUST BE POSITIONED AS IN PICTURE 'C' WITH BIGGER END TOWARD FRONT OF BIKE.** Turn a little more so that you feel the compression increase slightly. Then apply a quarter turn. Do not over tighten as damage can occur to the bike. Do not exceed 40 N/m of torque.
- If not already fitted, fit bubble sticker into recess of crash protector cap (item 1).
- Fit crash protector cap (item 1) into the crash protector.

### *Off side (right side as you sit on bike)*

- Remove the bolt arrowed in picture 3.
- Place one of the plain washers (item 3) onto the remaining **longer** hex headed bolt (item 7=110mm long) as shown in picture 4.
- Place one of the locking washers (item 4) over the bolt and against the washer just fitted as shown in picture 4.
- Place the bolt with both washers through one of the crash protectors (item 6) as shown in picture 4.
- Place the longer spacer (item 8=16mm long) over the exposed end of the bolt with the larger diameter against the crash protector as shown in picture 4.
- Offer this assembly into position as shown in picture 'B' on page 1 (please ensure no parts come in contact with any fairing panels). Finally tighten the crash protector bolts until you feel some compression from inside the protector using 17mm socket and wrench. **PLEASE NOTE THE CRASH PROTECTOR MUST BE POSITIONED AS IN PICTURE 'C' WITH BIGGER END TOWARD FRONT OF BIKE.** Turn a little more so that you feel the compression increase slightly. Then apply a quarter turn. Do not over tighten as damage can occur to the bike. Do not exceed 40 N/m of torque.
- If not already fitted, fit bubble sticker into recess of crash protector cap (item 1).
- Fit crash protector cap (item 1) into the crash protector.

ISSUE 2 5/08/2015 (NSY)

### CONSUMER NOTICE

The catalogue description and any exhibition of samples are only broad indications of the Products and R&G may make design changes which do not diminish their performance or visual appeal and supplying them in such state shall conform to the order. The Buyer acknowledges no representation or warranty (other than as to title) has been given or will apply to the Products other than those in R&G's order or confirmation and the Buyer confirms it has chosen the Products as being of merchantable quality and suitable for its particular purposes. Where R&G fits the Products or undertakes other services it shall exercise reasonable skill and care and rectify any fault free of charge unless the workmanship has been disturbed. The Buyer is responsible for ensuring that the warranty on the motorcycle is not

### R&G Racing

Unit 1 Shelleys Lane, East Worldham, Alton, Hants GU34 3AQ

Tel: +44 (0)1420 89007 Fax: +44 (0)1420 87301 [www.rg-racing.com](http://www.rg-racing.com) Email: [info@rg-racing.com](mailto:info@rg-racing.com)



affected by the fitting of the Products. On return of any defective Products R&G shall at its option either supply a replacement or refund the purchase money but shall not be liable if the Products have been modified or used or maintained otherwise than in accordance with R&G's or manufacturer's instructions and good engineering practice or if the defect arises from accident or neglect. Other than identified above and subject to R&G not limiting its liability for causing death and personal injury, it shall not be liable for indirect or consequential loss and otherwise its liability shall be limited to the amounts paid by the Buyer for the Products or the fitting or service concerned. These terms do not affect the Buyer's statutory rights.

**R&G RACING RETURNS POLICY (NON-FAULTY GOODS)**

Returns must be pre-authorised (if not pre-authorised the return will be rejected). Goods may only be returned direct to us if they were purchased direct from us (customer must prove if necessary). Otherwise to be returned to original vendor. Goods must be in re-sellable condition, in the opinion of R&G Racing. All returns are subject to a 25% restocking and handling fee (25% of the gross value exc. P&P – at the prevailing price at time of purchase). The customer must pay any and all carriage charges. No returns of discontinued products, unless within 14 days of purchase. This policy does not affect your statutory rights and does not refer to faulty goods.

**R&G Racing**

Unit 1 Shelleys Lane, East Worldham, Alton, Hants GU34 3AQ

Tel: +44 (0)1420 89007 Fax: +44 (0)1420 87301 [www.rg-racing.com](http://www.rg-racing.com) Email: [info@rg-racing.com](mailto:info@rg-racing.com)





**INSTRUCTIONS DE MONTAGE POUR CP0393BL PROTECTIONS CRASH LATERALES**  
**SUZUKI GSX-S 1000 2015-**



PHOTO 'A'



PHOTO 'B'



Arrière moto



PHOTO C



Avant moto

**LE KIT CONTIENT LES ARTICLES EXPOSES CI-DESSOUS, VERIFIER QUE TOUTES LES PIECES SOIENT PRESENTES AVANT DE PROCEDER AU MONTAGE.**

LA FAÇON DONT LE KIT EST EMBALLE NE CORRESPOND PAS FORCEMENT A LA FAÇON DE MONTER LES PIECES SUR LA MOTO.

Notez que si les kits sont emballés avec des rondelles en caoutchouc servant à tenir les composants, *ces rondelles doivent être jetées!*

LES PARTIES PRESENTEES PEUVENT ETRE UNIQUEMENT REPRESENTATIVES (POUR LA CLARTE DES INSTRUCTIONS UNIQUEMENT).

**R&G Racing**

Unit 1 Shelleys Lane, East Worldham, Alton, Hants GU34 3AQ

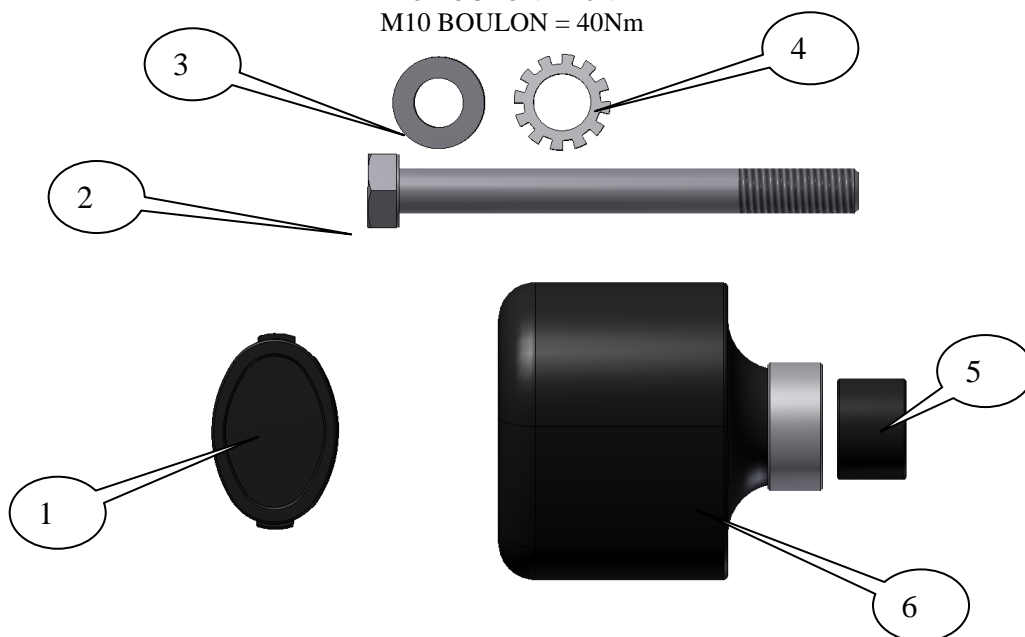
Tel: +44 (0)1420 89007 Fax: +44 (0)1420 87301 [www.rg-racing.com](http://www.rg-racing.com) Email: [info@rg-racing.com](mailto:info@rg-racing.com)



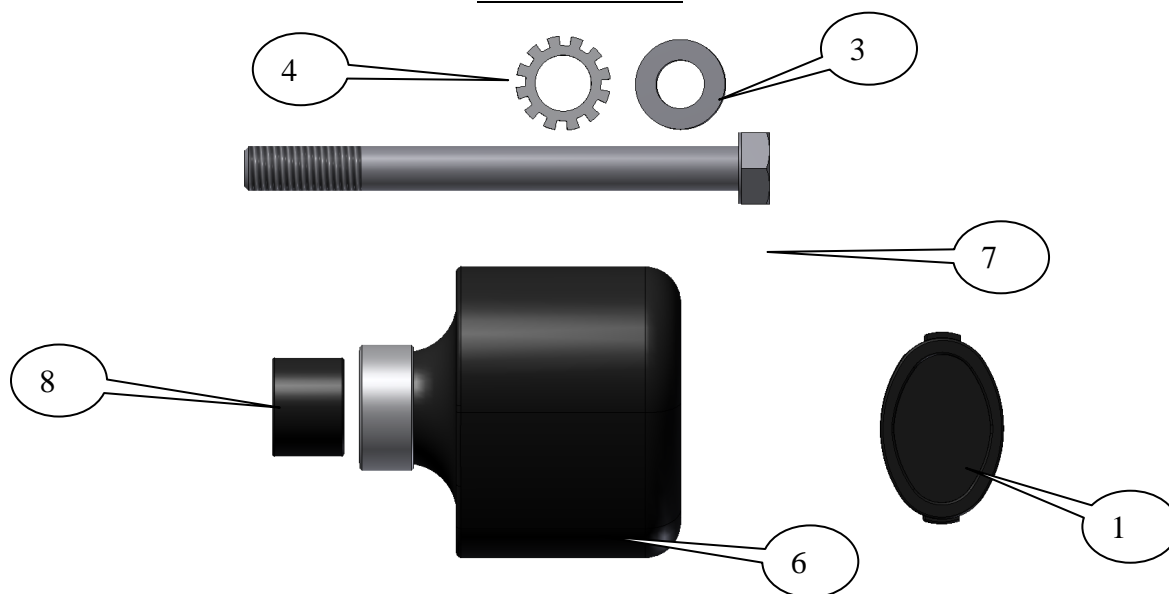
Cette notice est disponible sur [www.rg-racing.com](http://www.rg-racing.com)

**COUPLES DE SERRAGE RECOMMANDES**

- M4 BOULON = 8Nm
- M5 BOULON = 12Nm
- M6 BOULON = 15Nm
- M8 BOULON = 20Nm
- M10 BOULON = 40Nm



**COTE GAUCHE**



**COTE DROIT**

**R&G Racing**

Unit 1 Shelleys Lane, East Worldham, Alton, Hants GU34 3AQ

Tel: +44 (0)1420 89007 Fax: +44 (0)1420 87301 [www.rg-racing.com](http://www.rg-racing.com) Email: [info@rg-racing.com](mailto:info@rg-racing.com)



### OUTILS REQUIS

- Jeu de clés 17mm.
- Clé Allen 8mm.
- Clé dynamométrique (à 40Nm).

### LEGENDE

ARTICLE 1 = CAPUCHONS DE PROTECTION CRASH, COTE DROIT ET GAUCHE (BC0002) (x2).

ARTICLE 2 = BOULON DE PROTECTION CRASH GAUCHE, M10x100mm (x1).

ARTICLE 3 = M10 RONDELLES , DROITE ET GAUCHE (x2).

ARTICLE 4 = RONDELLES DE BLOCAGE, DROITE ET GAUCHE (LW0001) (x2).

ARTICLE 5 = ENTRETOISE DE PROTECTION CRASH, GAUCHE (S0893=15mm de long) (x1).

ARTICLE 6 = PROTECTIONS CRASH, DROITE ET GAUCHE (B0431 avec CS341, 10mm) (x2).

ARTICLE 7 = BOULON DE PROTECTION CRASH DROIT , M10x110mm (x1).

ARTICLE 8 = ENTRETOISE DE PROTECTION CRASH DROITE (S0894=16mm de long) (x1).



PHOTO 1

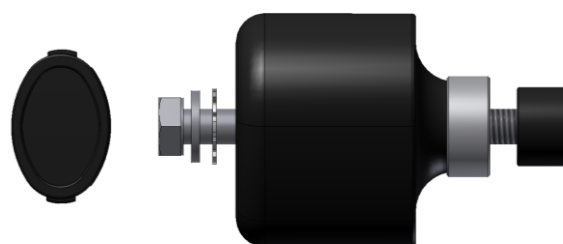


PHOTO 2



PHOTO 3



PHOTO 4





## Instructions de montage

### Coté gauche (lorsqu'on est assis sur la moto)

- Enlever le boulon, indiqué sur la photo 1.
- Placer une des rondelles (article 3) sur le boulon le plus court (article 2=100mm de long) comme indique que la photo 2.
- Placer une des rondelles de blocage (article 4) sur le boulon et contre la rondelle tout juste insérée, voir photo 2.
- Placer le boulon avec les 2 rondelles dans une des protections crash (article 6), voir photo 2.
- Placer l'entretoise la plus courte (article 5=15mm de long) sur l'extrémité du boulon avec le diamètre le plus large contre la protection crash, voir photo 2.
- Poser l'ensemble en position, voir photo 'A' sur la page 1 (Veiller à ce qu'aucune partie ne puisse entrer en contact avec le carénage). Enfin, serrer les boulons de protection crash jusqu'à ce que vous sentiez la compression s'accroître dans la protection, en utilisant une pince de 17mm. **LA PROTECTION DOIT ETRE POSITIONNEE COMME EN "C" AVEC LE COTE ARRONDI LE PLUS GROS EN DIRECTION DE L'AVANT DE LA MOTO.** Tourner un peu plus afin d'accroître légèrement la compression. Faire un quart de tour. Pas plus de 40 Nm de couple - Ne pas trop serrer, au risque d'abîmer les composants.
- Placer le sticker R&G dans le creux de capuchon de la protection (article 1).
- Insérer le capuchon de la protection (article 1) dans la protection.

### Coté droit (lorsqu'on est assis sur la moto)

- Enlever le boulon, indiqué sur la photo 3.
- Placer une des rondelles (article 3) sur le boulon restant, le plus long (article 7=110mm de long), voir photo 4.
- Placer une des rondelles de blocage (article 4) sur le boulon et contre la rondelle tout juste insérée, voir photo 4.
- Placer le boulon avec les 2 rondelles dans la protection crash restante (article 6), voir photo 4.
- Placer l'entretoise la plus longue (article 8=16mm de long) sur l'extrémité du boulon avec le diamètre le plus large contre la protection crash, voir photo 4.
- Poser l'ensemble en position, voir photo 'B' sur la page 1 (Veiller à ce qu'aucune partie ne puisse entrer en contact avec le carénage). Enfin, serrer les boulons de protection crash jusqu'à ce que vous sentiez la compression s'accroître dans la protection, en utilisant une pince de 17mm. **LA PROTECTION DOIT ETRE POSITIONNEE COMME EN "C" AVEC LE COTE ARRONDI LE PLUS GROS EN DIRECTION DE L'AVANT DE LA MOTO.** Tourner un peu plus afin d'accroître légèrement la compression. Faire un quart de tour. Pas plus de 40 Nm de couple - Ne pas trop serrer, au risque d'abîmer les composants.
- Placer le sticker R&G dans le creux de capuchon de la protection (article 1).
- Insérer le capuchon de la protection (article 1) dans la protection.



ISSUE 1 14/07/2015 (NSY)

**CONSUMER NOTICE**

The catalogue description and any exhibition of samples are only broad indications of the Products and R&G may make design changes which do not diminish their performance or visual appeal and supplying them in such state shall conform to the order. The Buyer acknowledges no representation or warranty (other than as to title) has been given or will apply to the Products other than those in R&G's order or confirmation and the Buyer confirms it has chosen the Products as being of merchantable quality and suitable for its particular purposes. Where R&G fits the Products or undertakes other services it shall exercise reasonable skill and care and rectify any fault free of charge unless the workmanship has been disturbed. The Buyer is responsible for ensuring that the warranty on the motorcycle is not affected by the fitting of the Products. On return of any defective Products R&G shall at its option either supply a replacement or refund the purchase money but shall not be liable if the Products have been modified or used or maintained otherwise than in accordance with R&G's or manufacturer's instructions and good engineering practice or if the defect arises from accident or neglect. Other than identified above and subject to R&G not limiting its liability for causing death and personal injury, it shall not be liable for indirect or consequential loss and otherwise its liability shall be limited to the amounts paid by the Buyer for the Products or the fitting or service concerned. These terms do not affect the Buyer's statutory rights.

**R&G RACING RETURNS POLICY (NON-FAULTY GOODS)**

Returns must be pre-authorised (if not pre-authorised the return will be rejected). Goods may only be returned direct to us if they were purchased direct from us (customer must prove if necessary). Otherwise to be returned to original vendor. Goods must be in re-sellable condition, in the opinion of R&G Racing. All returns are subject to a 25% restocking and handling fee (25% of the gross value exc. P&P – at the prevailing price at time of purchase). The customer must pay any and all carriage charges. No returns of discontinued products, unless within 14 days of purchase. This policy does not affect your statutory rights and does not refer to faulty goods.

**R&G Racing**

Unit 1 Shelleys Lane, East Worldham, Alton, Hants GU34 3AQ

Tel: +44 (0)1420 89007 Fax: +44 (0)1420 87301 [www.rg-racing.com](http://www.rg-racing.com) Email: [info@rg-racing.com](mailto:info@rg-racing.com)