



DRYSPEC™

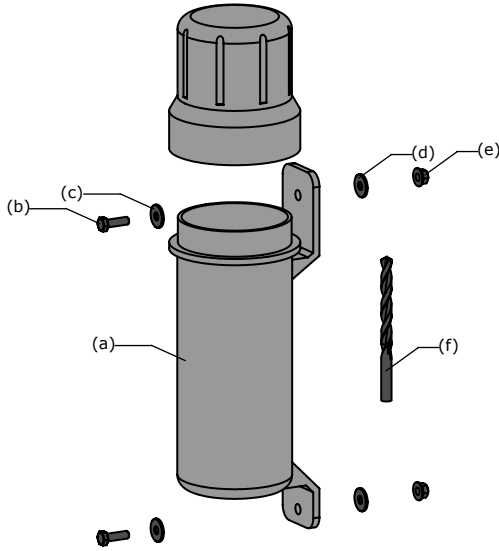
Large Tool Tube Instruction Manual.....rev00



DSL.STO.10000

Large Tool Tube

Universal Mounting



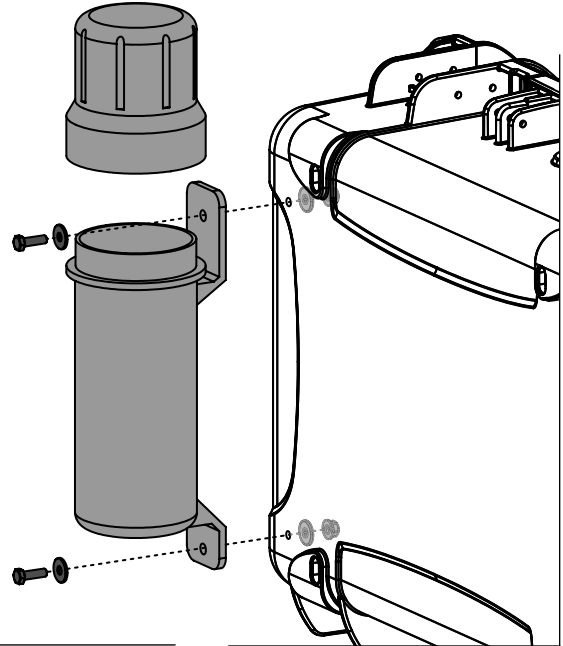
Assembly

Assembly Components

- (a) Storage Tube.....Qty 1
- (b) M6x20 Hex Head Screw.....Qty 2
- (c) M6 Large OD Washer.....Qty 2
- (d) M6 Sealing Washer.....Qty 2
- (e) M6 Nylock Nut.....Qty 2
- (f) 1/4" Drill Bit.....Qty 1

Tools Required

- 1. (2x) 10mm Open End or Socket Wrench
- 2. Drill



Mounting

Step One: Use the Storage Tube to mark the hole centers on the surface the tube will be mounted to. (*Remove the cap to allow access to the upper hole.*) **Step Two:** Using the provided 1/4" Drill Bit to drill the two mounting holes. **Step Three:** Place a large outer diameter washer over each bolt and then pass the bolts through the bottle mount and the two holes that were drilled. **Step Four:** Place a sealing washer, then a nut over the exposed thread on the backside of

the mounting surface and hand tighten. **Step Five:** Use two 10mm wrenches to tighten the two bolts.

DRYSPEC dry bags are exclusively distributed by Twisted Throttle LLC.

Twisted Throttle LLC.

570 NooseNeck Hill Road,
Exeter Rhode Island 02822

Phone: 855 255 5550

Email: info@twistedthrottle.com

Twistedthrottle.com

Instructional videos and digital full resolution copies of these instructions are available for download at DRYSEPC.COM/instructions.

DRYSPEC.COM