

Denali Light Mount

Honda ST1300 '02-'14

LAH.01.10100 Instructions Rev:00

PLEASE READ BEFORE INSTALLING

TWISTED THROTTLE products should be installed by a qualified, experienced motorcycle technician. If you are unsure of your ability to properly install a product, please have the product installed by your local motorcycle dealer. TWISTED THROTTLE takes no responsibility for damages caused by improper installation.

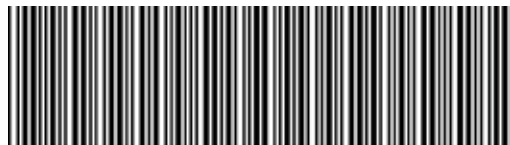
All screws, bolts, and nuts, including all replacement hardware provided by TWISTED THROTTLE should be tightened to the torque specified in the OEM maintenance manual for your motorcycle. If no torque specifications are provided in the OEM maintenance manual, the following torques may be used:

M5.....	3.5 ft-lbs (5 Nm)
M6.....	7 ft-lbs (9.6 Nm)
M8.....	13 ft-lbs (18 Nm)


All screws, bolts, and nuts should be checked after driving the first 30 miles (50 km) to ensure that all are tightened to the proper torque.


Medium strength liquid thread-locker (i.e., "Loctite") should be used to secure all screws, bolts, and nuts.

Distributed by:	
Twisted Throttle LLC 570 Nooseneck Hill Rd Exeter, RI 02822	phone: 855.255.5550 fax: 401.223.6955 www.twistedthrottle.com



Step 1

1
Left Side Bracket

LAH.01.002
Qty.....1

2
Right Side Bracket

LAH.01.003
Qty.....1

3
Hex Head Bolt


M8x35.....DIN 6921
Qty.....2

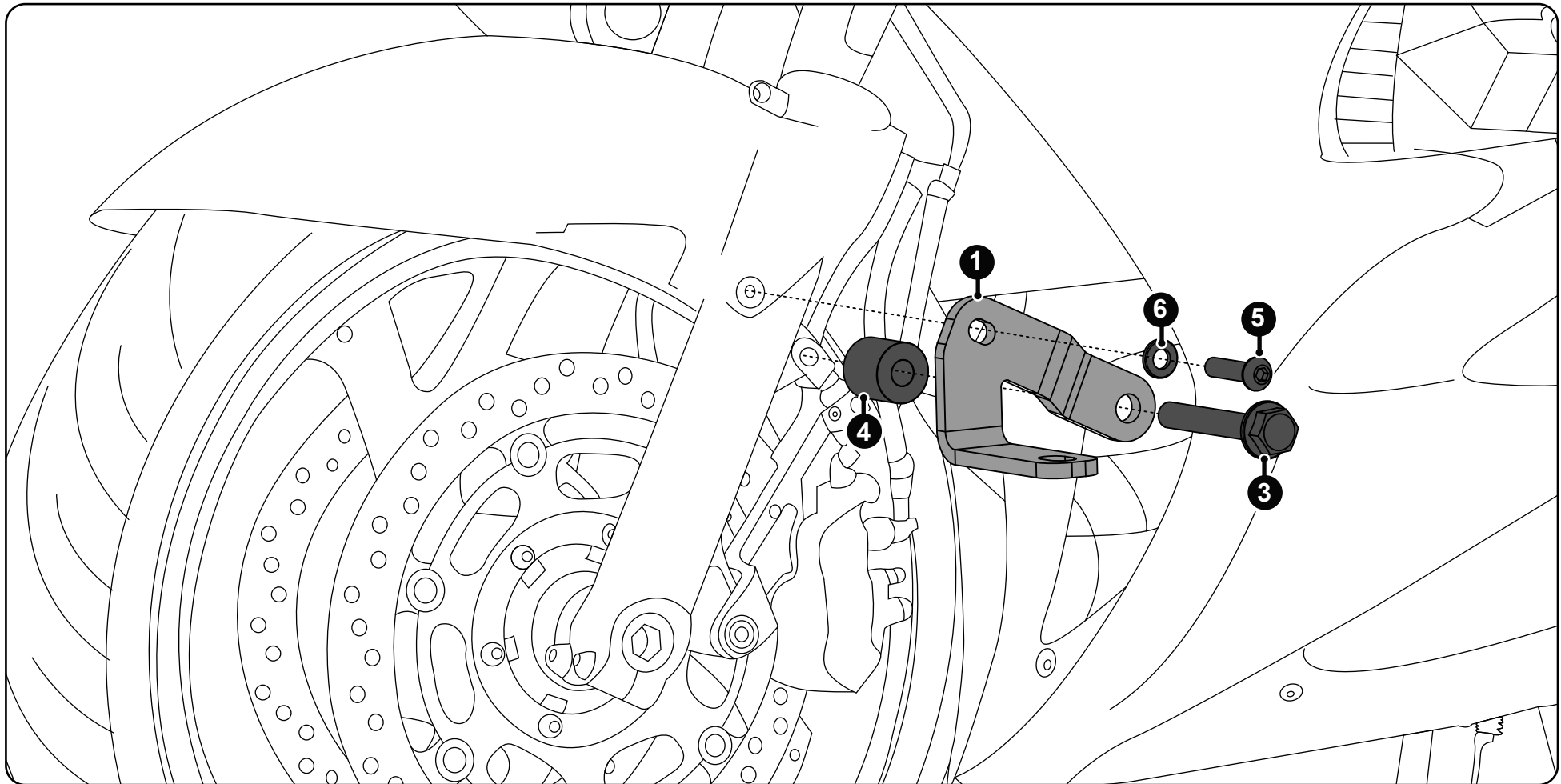
4
Spacer

OD: 19.1mm ID: 8.1mm L: 19.1mm
Qty.....2

5
Lenshead Screw

M6x25.....ISO 7380
Qty.....2

6
Washer

M6.....DIN125
Qty.....2



Step One: Remove the OEM fender bolt and OEM upper caliper bolt from the left side of the motorcycle. Use the bolts (#3 & #5), a washer (#6) and a spacer (#4) to bolt the left side bracket (#1) to the motorcycle. Repeat these steps on the right side of the motorcycle using the right side bracket (#2).