

## Denali Light Mount

BMW R1200GS '04-'13

BMW R1200GSA '05-'13

LAH.07.10300 Instructions Rev:00

### PLEASE READ BEFORE INSTALLING

TWISTED THROTTLE products should be installed by a qualified, experienced motorcycle technician. If you are unsure of your ability to properly install a product, please have the product installed by your local motorcycle dealer. TWISTED THROTTLE takes no responsibility for damages caused by improper installation.

All screws, bolts, and nuts, including all replacement hardware provided by TWISTED THROTTLE should be tightened to the torque specified in the OEM maintenance manual for your motorcycle. If no torque specifications are provided in the OEM maintenance manual, the following torques may be used:

M5.....	3.5 ft-lbs (5 Nm)
M6.....	7 ft-lbs (9.6 Nm)
M8.....	13 ft-lbs (18 Nm)

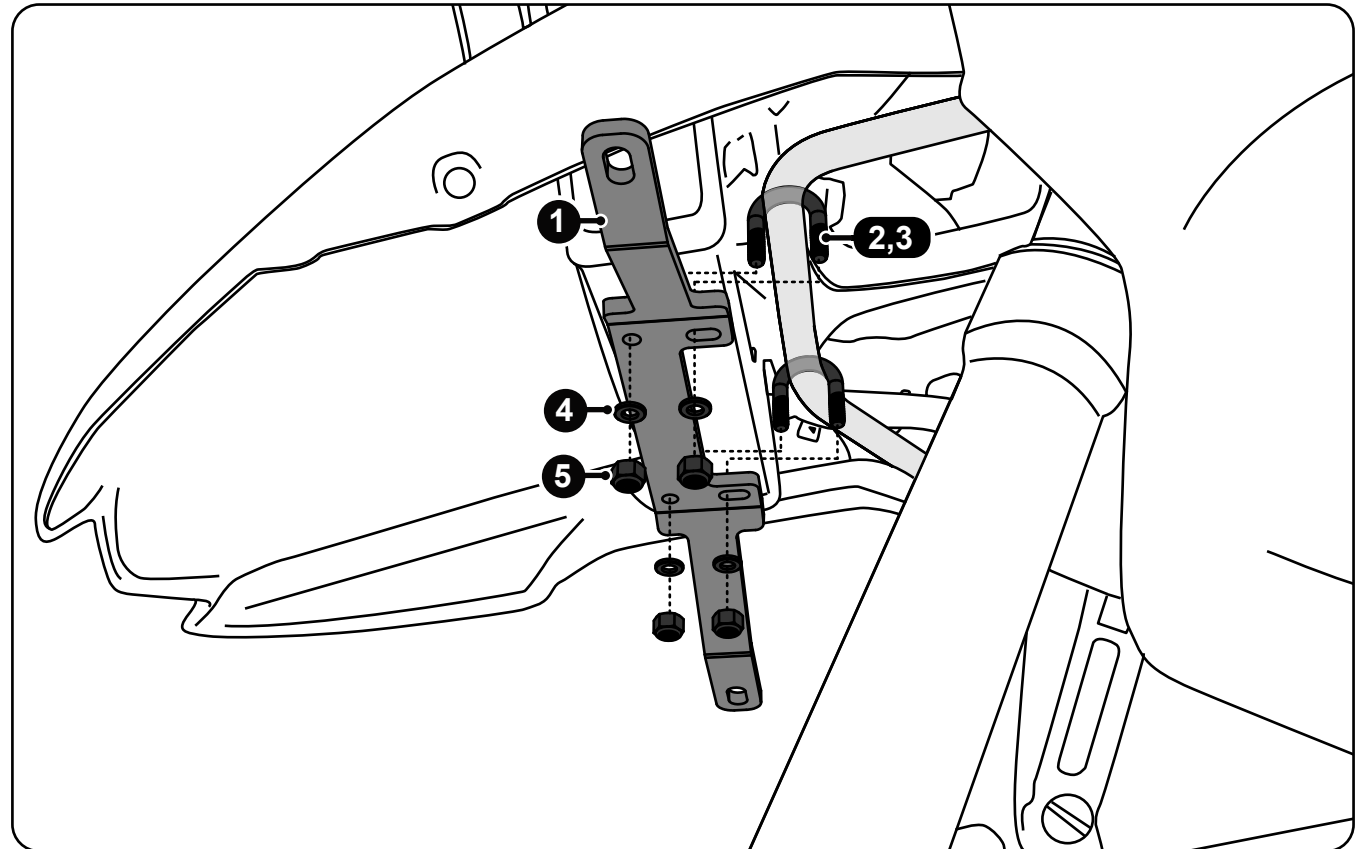
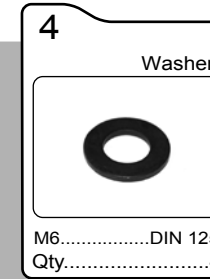
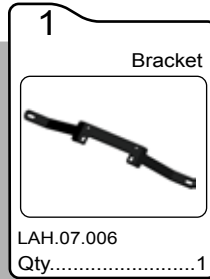
All screws, bolts, and nuts should be checked after driving the first 30 miles (50 km) to ensure that all are tightened to the proper torque.

Medium strength liquid thread-locker (i.e., "Locktite") should be used to secure all screws, bolts, and nuts.

Distributed by:	
Twisted Throttle LLC 570 Noose Neck Rd Exeter, RI 02822	phone: 855.255.5550 fax: 401.223.6955 www.twistedthrottle.com

### Installation Instructions

Kit Contents



**Step One:** Position the two U-Bolts onto the subframe just behind the oil cooler. The smaller U-Bolts (#2) are for use with the standard R1200GS, the larger (#3), are for use with the R1200GS Adventure.

**Step Two:** Center and level the bracket (#1) on the bike and then clamp the bracket in place by tightening the the two U-Bolts (#2 or #3). Adjustments for level and center can be made by loosening the U-Bolts to adjust the bracket.

